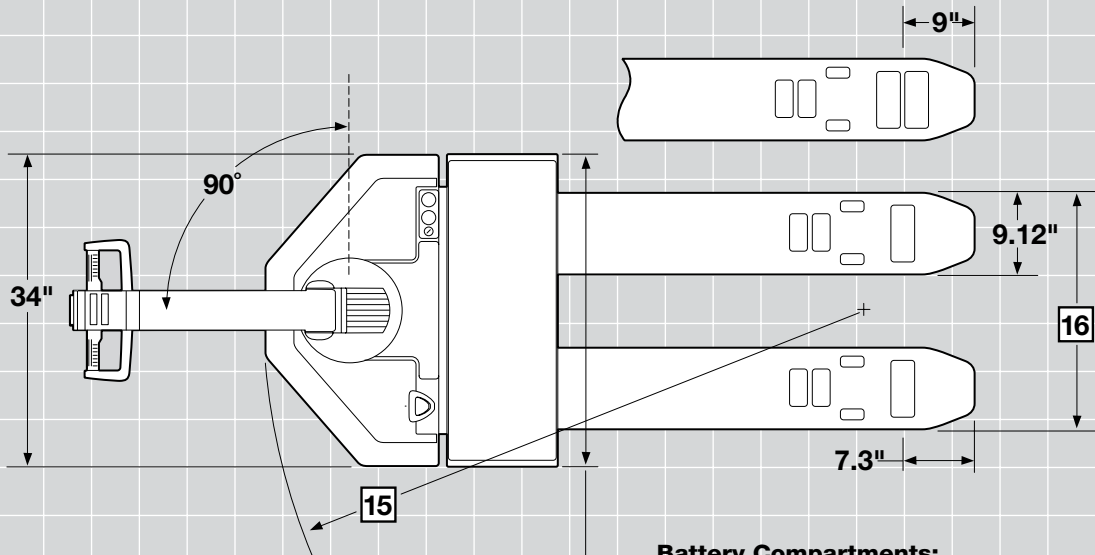


**CROWN**

# **PW 3500** SERIES

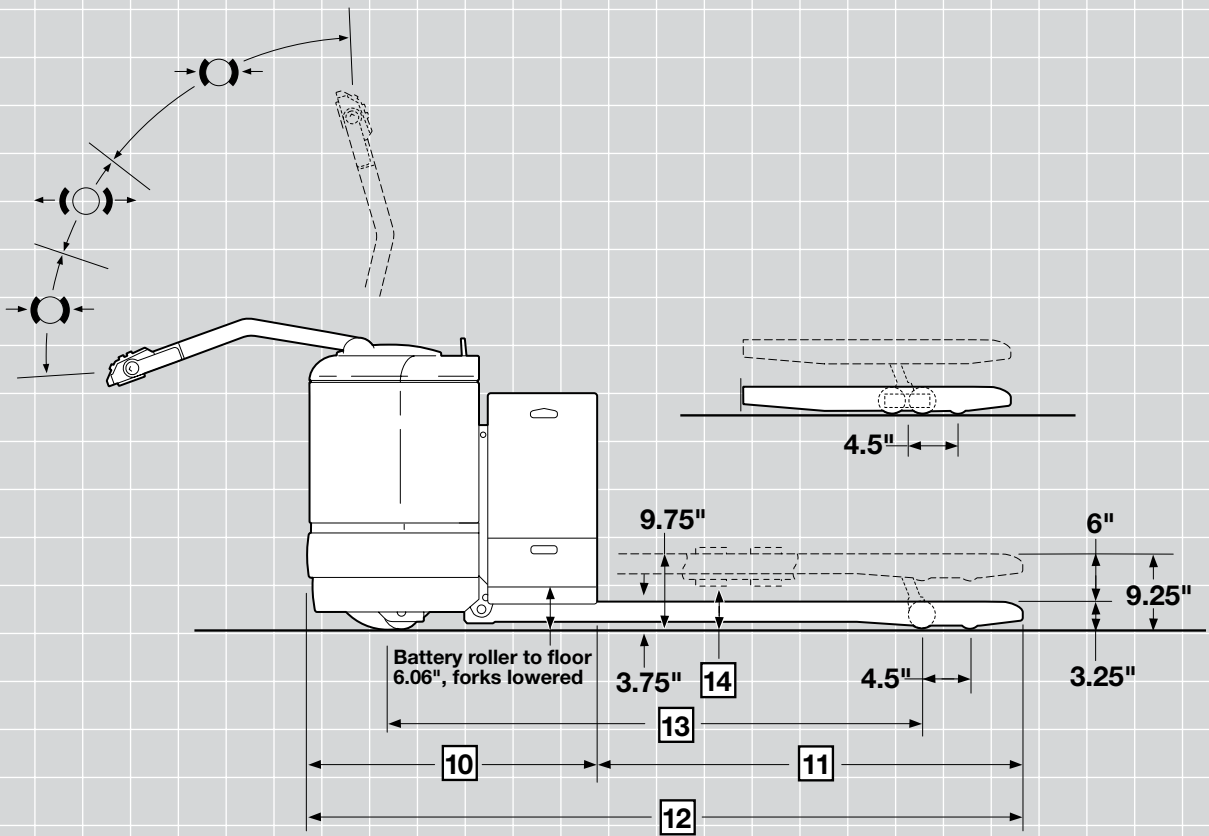
**Profile Sheet**  
Walkie Pallet Truck





**Battery Compartments:**

PW 3510		33.75
PW 3520	Option 1	37.06
	Option 2	33.75



# PW 3500 Series

General Info	1	<b>Manufacturer</b>		<b>Crown Equipment Corporation</b>	
	2	<b>Model</b>		PW 3510	PW 3520
	3	<b>Load Capacity</b>	lb	6000	6000 / 8000
	4	<b>Power</b>	Electric	12 Volts	24 Volts
	5	<b>Operator Type</b>	Stand-up	Walkie	Walkie
Dimensions	8	<b>Lift Height</b>	in	9.25	9.25
	9	<b>Lift</b>	in	6	6
	10	<b>Head Length</b>	Option 1 / Option 2	30.44	29.19 / 35.69
	16	<b>Outside Fork Spread</b>	Standard Tip	22 / 27	22 / 27
Battery	<b>Min/Max Weight</b>	PW 3510	lb	400 / 540	
		Option 1 PW 3520	lb	360 / 710	
		Option 2 PW 3520	lb	815 / 1400	
	<b>Max Amp Hour</b>	PW 3520	amp hr	660	
		Option 1 PW 3520	amp hr	330	
		Option 2 PW 3520	amp hr	600	
	<b>Max Battery Size WxLxH</b>	PW 3510	in	7.94 x 31.12 x 23.38	
Option 1 PW 3520		in	6.69 x 34.4 x 23.38		
Option 2 PW 3520		in	13.19 x 31.12 x 23.38		

Forks	<b>PW 3500 Series</b>			<b>Standard-Tip Forks</b>					
		<b>Nominal Fork Length</b>	in	36	42	48	54	60	
	11	<b>Actual Fork Length</b>	in	35.75	41.75	47.75	53.75	59.75	
	12	<b>Overall Length</b>	PW 3510	in	66.19	72.19	78.19	84.19	90.19
			Option 1 PW 3520	in	64.94	70.94	76.94	82.94	88.94
			Option 2 PW 3520	in	71.44	77.44	83.44	89.44	95.44
	13	<b>Wheelbase</b>	PW 3510	in	44.38	50.38	56.38	62.38	68.38
			Option 1 PW 3520	in	43.12	49.12	55.12	61.12	67.12
			Option 2 PW 3520	in	49.62	55.62	61.62	67.62	73.62
	14	<b>Grade Clearance</b>	PW 3510	%	42	37	33	29	27
			Option 1 PW 3520	%	44	38	34	30	27
			Option 2 PW 3520	%	38	33	30	27	25
	15	<b>Turning Radius</b>	PW 3510	in	54.60	60.57	66.56	72.54	78.53
			Option 1 PW 3520	in	53.35	59.32	65.31	71.30	77.28
Option 2 PW 3520			in	59.83	65.81	71.79	77.78	83.77	
7	<b>Truck Weight</b>	6000 lb	lb	1310	1326	1342	1358	1381	
		8000 lb	lb	1329	1353	1377	1401	1432	

Wheels and Tires	Model		<b>PW 3510-60</b>	<b>PW 3520-60</b>	<b>PW 3520-80</b>	
	Drive Tire	in	13.5 x 5.5 x 8 (r)	13.5 x 5.5 x 8 (r)	13 x 4.5 x 8 (p)	
	Load Wheels	≤ 60"	4 - 3.25 x 3.25 (-302)	4 - 3.25 x 3.25 (-302)	2 - 3.25 x 6.5 (-302)	
		> 60"	2 - 3.25 x 6.5 (-302)	2 - 3.25 x 6.5 (-302)	2 - 3.25 x 6.5 (-302)	
	-301 Moderate cut/tear resistance, high capacity. High capacity transport. Not for dock use.					
	-302 Highest cut/tear resistance offered. Extremely high capacity, low rolling resistance. Docks, rough floors and floor debris.					
-401 Combines good cut/tear resistance and very high capacity. Use where nothing else works.						

(r) = rubber, (p) = poly, ≤ = less than or equal to, > = greater than



**Crown Equipment Corporation**  
New Bremen, Ohio 45869 USA  
**Tel** 419-629-2311  
**Fax** 419-629-3796  
crown.com

**You can count on Crown to build lift trucks designed for safe operation, but that's only part of the safety equation. Crown encourages safe operating practices through ongoing operator training, safety-focused supervision, maintenance and a safe working environment. Go to [crown.com](http://crown.com) and view our safety section to learn more.**

Because Crown is continually improving its products, specifications are subject to change without notice.

Crown, the Crown logo, the color beige and the Momentum symbol are trademarks of Crown Equipment Corporation.

Copyright 2012-2013 Crown Equipment Corporation  
SF18786 03/13  
Printed in U.S.A.